

STI MINI BOPPER STOPPER®

Protects keyless door entry units against harsh outdoor conditions and abuse

Here's a way to protect keyless door entry units from sleet, snow, sand and sun. This super tough, durable cover is even useful for weatherproof keyless door entry units when ice and snow can make them difficult to operate. It also does a good job in protecting against abuse and accidental damage. The cover and hinges are molded of polycarbonate material while the hinge springs are formed from stainless steel. Mini Bopper Stopper comes complete with installation screws and gasket.

Cover has a lifetime warranty

As all STI protective covers, Mini Bopper Stopper is backed by a lifetime guarantee against breakage and damage in normal use.



STI-6516



Features

- Protects against both vandalism and accidental damage.
- Helps stop ice and snow from making keypad units hard to operate.
- Cover and hinges are molded from super tough polycarbonate material.
- Stainless steel torsion spring maintains the cover in a closed position.
- Fast, easy installation.
- 94V-2 flammability rating.
- Cover is backed by a lifetime guarantee against breakage in normal use.
- Comes complete with mounting hardware and gasket.
- Polycarbonate tested for -40°F to 120°F (-40°C to 49°C).



Safety Technology International, Inc.
2306 Airport Road • Waterford, Michigan 48327-1209
Phone: 248-673-9898 • Fax: 248-673-1246
Toll Free: 800-888-4STI • E-mail: info@sti-usa.com
Web: www.sti-usa.com

Safety Technology International (Europe) Ltd.
Unit 3 Olton Wharf • Richmond Road • Olton
Solihull • B92 7RN • England • Tel: 44 (0) 121 707 2999
Fax: 44 (0) 121 707 8999 • Freephone: 0800 080 1678 (UK only)
E-mail: info@sti-europe.com • Web: www.sti-europe.com

STI MINI BOPPER STOPPERS®

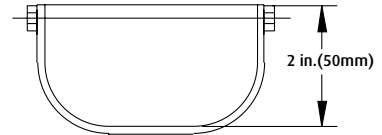
Dimensions and Technical Information

Models Available

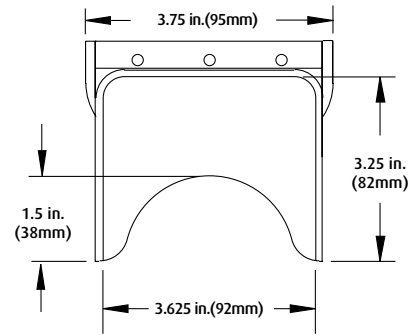
STI-6516 Mini Bopper Stopper® with spring loaded hinge - Clear

Approvals

- It has been tested and approved or listed by:
- Underwriter Laboratories No. S7255
 - Canadian Underwriter Laboratories No. S7255
 - ADA compliant



TOP VIEW



FRONT VIEW

